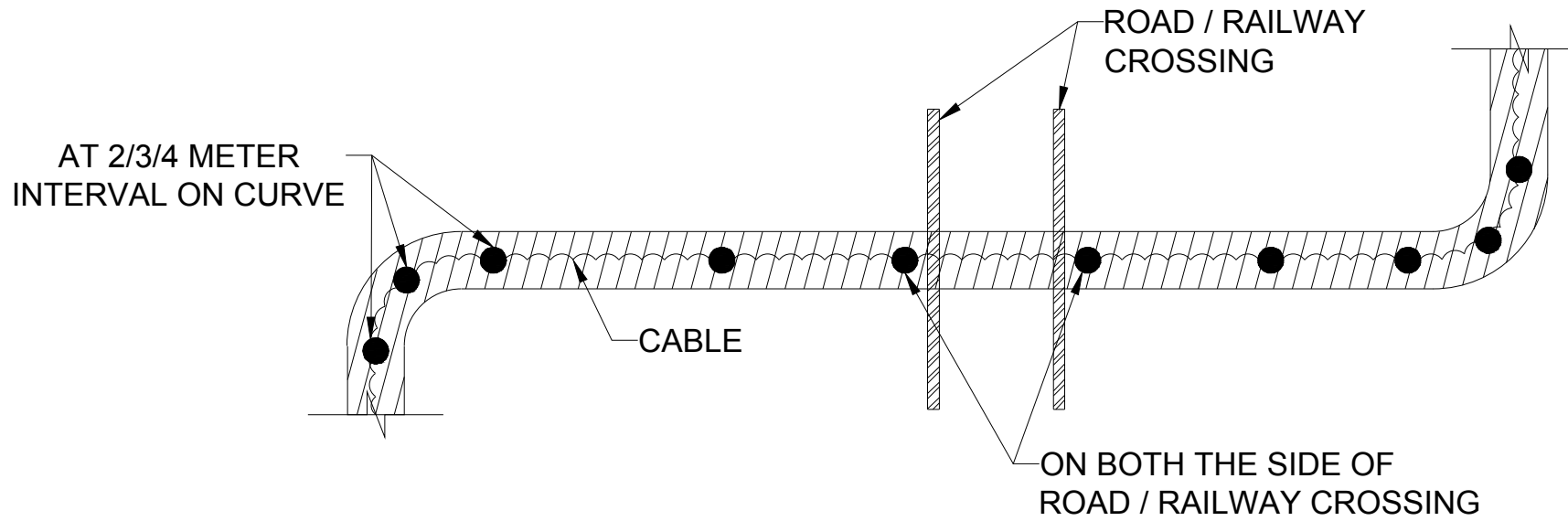


PLAN

ALL DIMENSIONS ARE IN MM




SIGN AND STAMP OF BIDDER	 Gujarat Urja Vikas Nigam Limited <small>CIN U40159GJ2004SGC0545195 ISO 9001 - 2008 Certified Company</small>
	ITEM DESCRIPTION : ROUTE MARKER
DATE :	DRAWING NO: GUNVL/COMMON UG LABOUR/01




TOP VIEW

ROUTE MARKERS ARE TO BE INSTALLED AT EVERY 50 / 100 METERS LENGTH AS PER SPECIFICATION, DRAWING AND INSTRUCTION OF ENGINEER - IN -CHARGE. HOWEVER, AT CURVE AND ROAD / RAILWAY CROSSING ROUTE MARKERS ARE TO BE INSTALLED AS ABOVE AND SITE SITUATION.

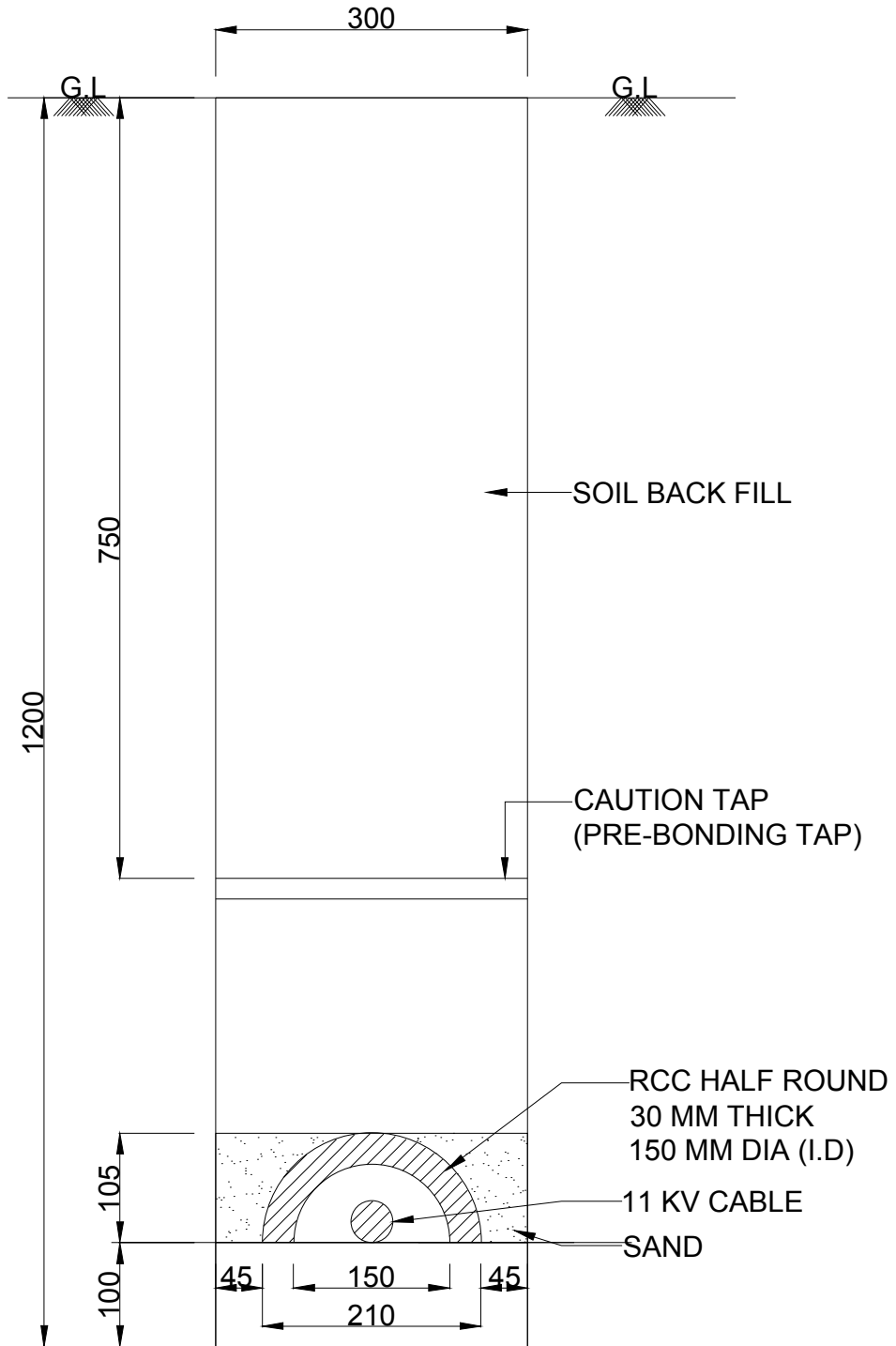
LEGEND :

-  : CABLE
-  : CABLE TRENCH
-  : ROUTE MARKER

ALL DIMENSIONS ARE IN MM

SIGN AND STAMP OF BIDDER	 Gujarat Urja Vikas Nigam Limited <small>CIN U40100GJ2004SGC045198 ISO 9001 - 2008 Certified Company</small>
DATE :	

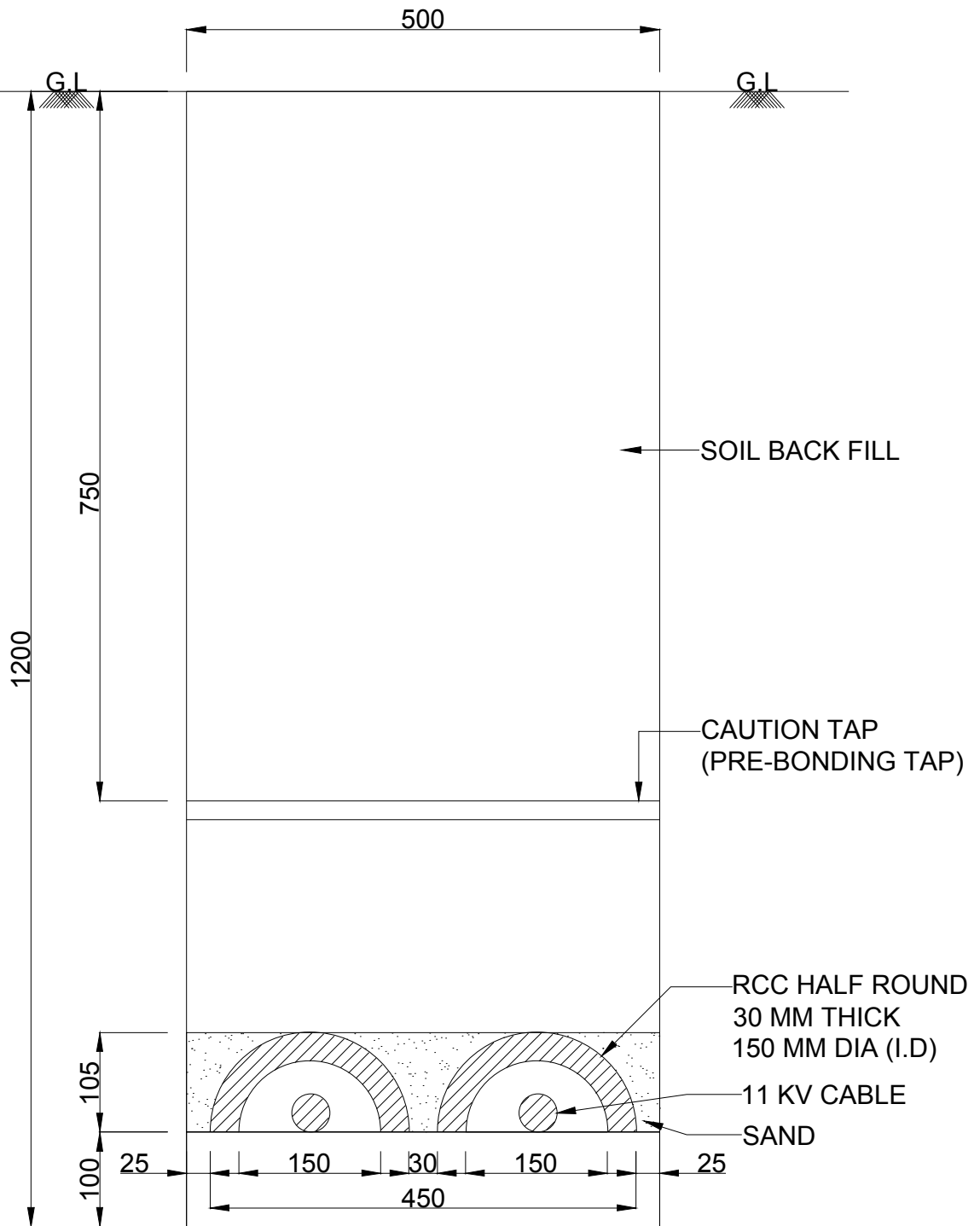
**CABLE TRENCH WITH ONE CABLE
(3C X 185 / 240 SQ. MM CABLE)**



ALL DIMENSIONS ARE IN MM

SIGN AND STAMP OF BIDDER	 Gujarat Urja Vikas Nigam Limited <small>CIN U40159GJ2004SG000545195 ISO 9001 - 2008 Certified Company</small>
	ITEM DESCRIPTION : CABLE TRENCH WITH ONE CABLE
DATE :	DRAWING NO: GUNVL/COMMON UG LABOUR/03

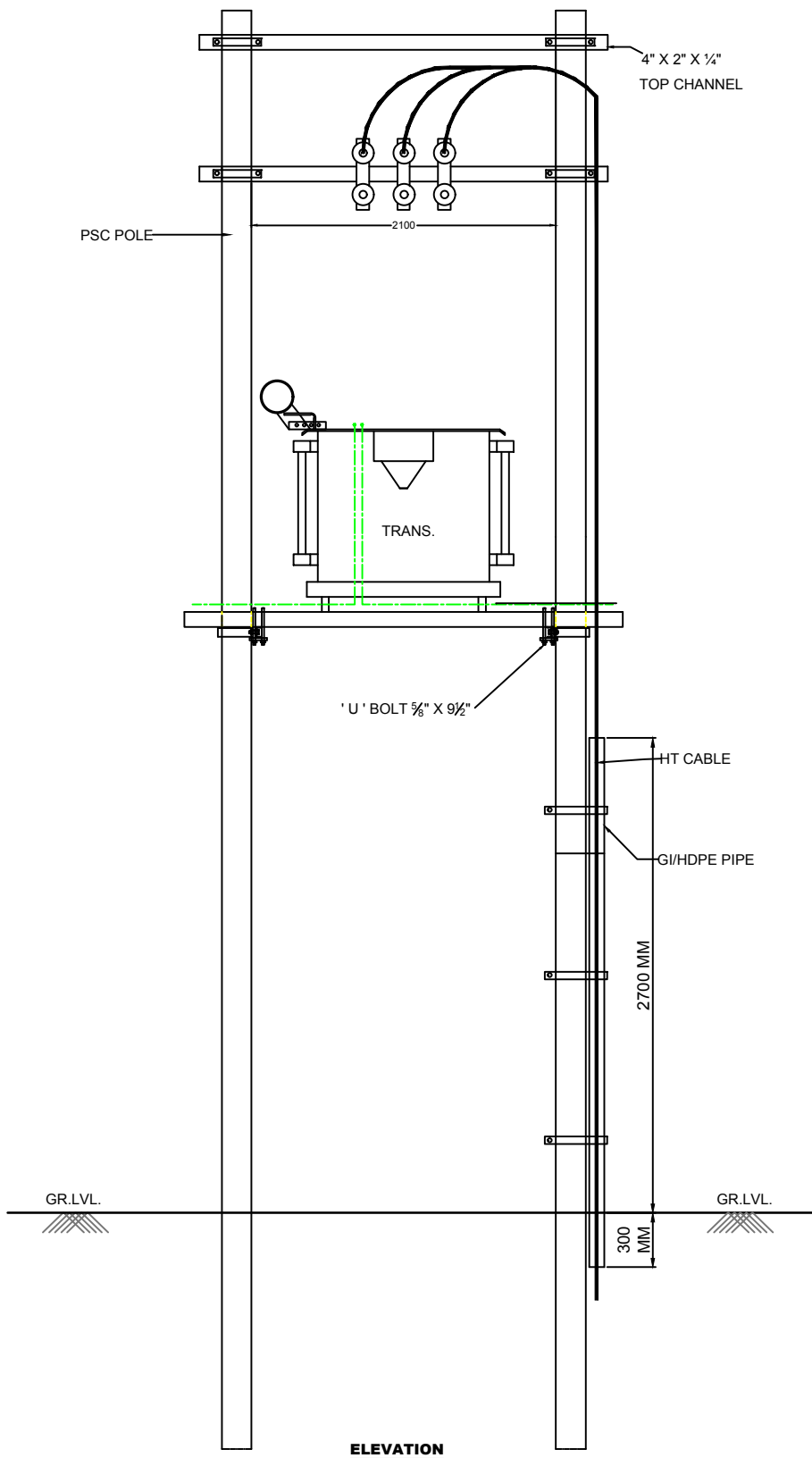
CABLE TRENCH WITH TWO CABLE
(3C X 185 / 240 SQ. MM CABLE)




ALL DIMENSIONS ARE IN MM

SIGN AND STAMP OF BIDDER	 Gujarat Urja Vikas Nigam Limited <small>CIN U40159GJ2004SGC045195 ISO 9001 - 2008 Certified Company</small>
	ITEM DESCRIPTION : CABLE TRENCH WITH TWO CABLE
DATE :	DRAWING NO: GUNVL/COMMON UG LABOUR/04

HT CABLE ARRANGEMENT ON DP STRUCTURE



ALL DIMENSIONS ARE IN MM

SIGN AND STAMP OF BIDDER	 <p>Gujarat Urja Vikas Nigam Limited <small>CIN U40129GJ200543GCO045196 ISO 9001 - 2008 Certified Company</small></p>
DATE :	ITEM DESCRIPTION : DOUBLE POLE STRUCTURE DRAWING NO: GUNVL/COMMON UG LABOUR/05